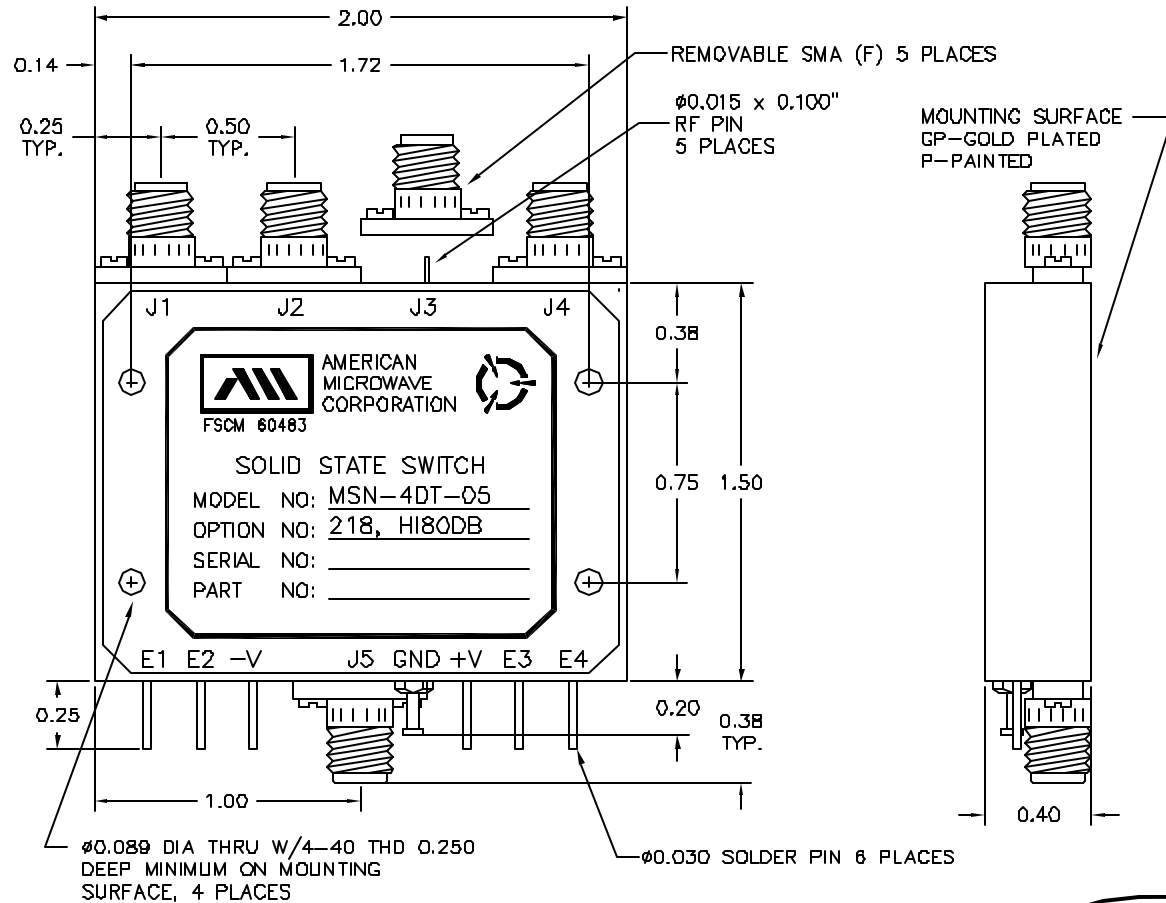


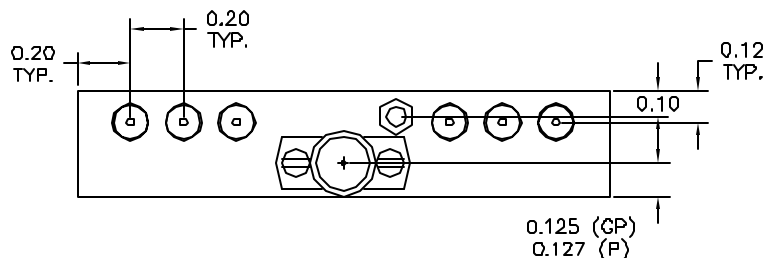
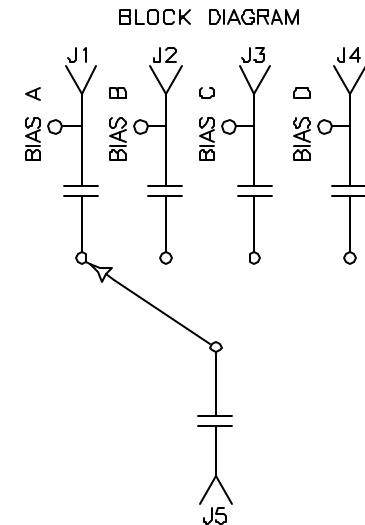
DESCRIPTION

AMC MODEL MSN-4DT-05-STANDARD OPTION: 218, HI80DB IS A SINGLE POLE FOUR THROW ABSORPTIVE/NON-REFLECTIVE SWITCH MODULE DESIGNED TO OPERATE OVER THE FULL 2 TO 18 GHz FREQUENCY RANGE WITH LOW INSERTION LOSS AND HIGH ISOLATION.

REVISIONS				
ZONE	REV.	DESCRIPTION	DATE	APPROVED
-	-	ORIGINAL RELEASE JOB# 503091	4/25/05	



MECHANICAL OUTLINE



ALL DIMENSIONS ARE IN INCHES
TOLERANCES:
X.XX ±0.020
X.XXX ±0.010

AMERICAN MICROWAVE CORPORATION

7311-G GROVE ROAD
FREDERICK, MARYLAND 21704 USA
TEL: 301-662-4700 FAX: 301-662-4938
WEBSITE: www.americanmicrowavecorp.com
E-MAIL: sales@americanmicrowavecorp.com
ISO 9001:2000 CERTIFIED



APPROVALS		DATE	TITLE		
DRAWN <i>JDS</i>		4/25/05	MECHANICAL OUTLINE MSN-4DT-05-STANDARD OPTION: 218, HI80DB 2-18 GHz, SINGLE POLE FOUR THROW SWITCH		
CHECKED			SIZE A	FSCM NO. 60483	DWG NO. 100-7425
ISSUED			SCALE N:S	SHEET 2 OF 3	

DESCRIPTION

AMC MODEL MSN-4DT-05-STANDARD OPTION: 218, HI80DB IS A SINGLE POLE FOUR THROW ABSORPTIVE/NON-REFLECTIVE SWITCH MODULE DESIGNED TO OPERATE OVER THE FULL 2 TO 18 GHz FREQUENCY RANGE WITH LOW INSERTION LOSS AND HIGH ISOLATION.

SPECIFICATIONS

- FREQUENCY RANGE: 2 TO 18 GHz
- INSERTION LOSS: 3.5 dB MAXIMUM
- ISOLATION: 80 dB MINIMUM
- VSWR: 2.0:1
- RISE TIME: 10 nSec TYPICAL, 15 nSec MAXIMUM
- FALL TIME: 10 nSec TYPICAL, 15 nSec MAXIMUM
- DELAY ON: 75 nSec TYPICAL, 100 nSec MAXIMUM
- DELAY OFF: 75 nSec TYPICAL, 100 nSec MAXIMUM
- POWER INPUT: (CW)+30 dBm
- SURVIVAL POWER: 1 WATT CW, 10 WATTS PEAK 1 uSec
- CONTROL: TTL LOGIC "0" = ON
TTL LOGIC "1" = OFF
- POWER SUPPLY: +5V @ 200 mA MAXIMUM
-5V @ 100 mA MAXIMUM
- CONNECTORS:
RF: SMA FEMALE
CONTROL: SOLDER PIN
- SIZE: 2.00" (L) x 1.50" (W) x 0.40" (H)

OPTIONS:

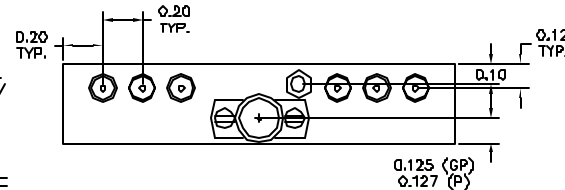
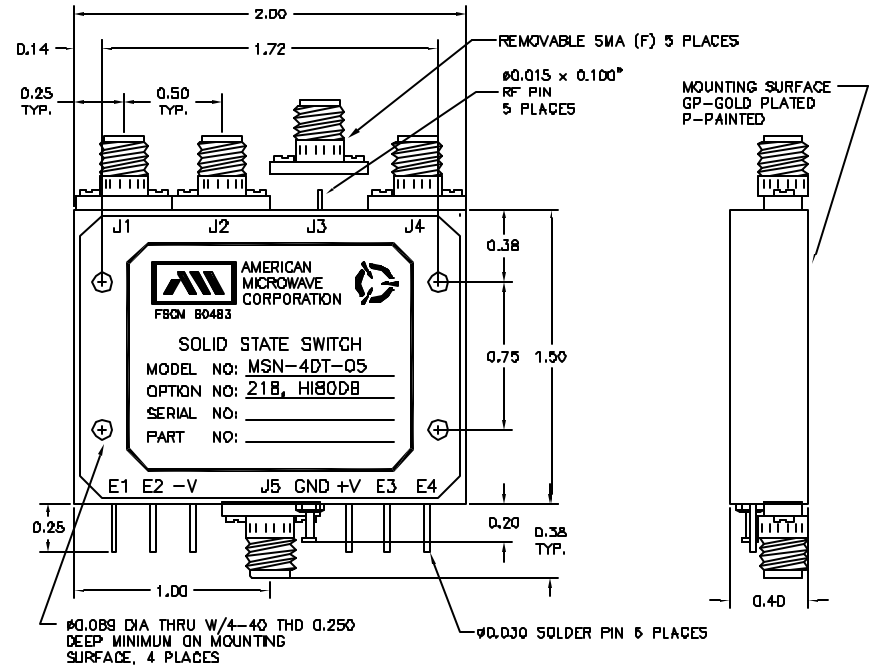
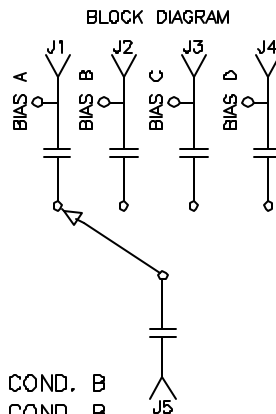
- 218: 2 TO 18 GHz FREQUENCY RANGE
- HI80DB: HIGH ISOLATION OF 80 dB MINIMUM

ENVIRONMENTAL RATINGS:

- TEMPERATURE: 0°C TO +50°C (OPERATING)
-40°C TO +70°C (STORAGE)
- HUMIDITY: 95% HUMIDITY AT 30°C
- SHOCK: MIL-STD-202F, METHOD 213B COND. B
- VIBRATION: MIL-STD-202F, METHOD 204D COND. B
- ALTITUDE: MIL-STD-202F, METHOD 105C COND. B
- TEMPERATURE CYCLE: MIL-STD-202F, METHOD 107D COND. A

NOTE: SPECIFICATIONS WILL VARY OVER OPERATING TEMPERATURE
NOTE: THE ABOVE SPECIFICATIONS ARE SUBJECT TO CHANGE OR REVISION

ALL DIMENSIONS ARE IN INCHES
TOLERANCES:
X.XX ±0.020
X.XXX ±0.010



AMERICAN MICROWAVE CORPORATION

7311-G GROVE ROAD
FREDERICK, MARYLAND 21704 USA
TEL: 301-662-4700 FAX: 301-662-4938
WEBSITE: www.americanmicrowavecorp.com
E-MAIL: sales@americanmicrowavecorp.com
ISO 9001:2000 CERTIFIED



APPROVALS		DATE	TITLE			REV.
DRAWN <i>JDS</i>		4/25/05	PRODUCT FEATURE MSN-4DT-05-STANDARD OPTION: 218, HI80DB			-
CHECKED			2-18 GHz, SINGLE POLE FOUR THROW SWITCH			
ISSUED			SIZE	PSCM NO.	DWG NO.	
			A	60483	100-7425	
			SCALE N:S		SHEET 1 OF 3	